

AXOR Starck Organic
Single lever bath mixer for concealed installation
 Surfaces: **Chrome** Article Number: **12415000**



Description

product features

- connection type: basic set
- flow rate at 3 bar: 22 l/min
- flow rate for bath spout at 3 bar: 28 l/min
- ceramic cartridge
- min. operating pressure: 1 bar
- max. operating pressure: 10 bar
- temperature limitation adjustable
- with automatic resetting
- with silencer
- suitable for continuous flow water heaters
- PA-IX 9709/ICC
- DVGW NW-6506CQ0125
- ETA VA 1.42/18751
- ACS 19 ACC NY 249, valide jusqu'au 01.08.2024
- WRAS 1903005
- JWWA E-382
- SVGW 0411-4903
- SINTEF 1426

Design awards



reddot design award

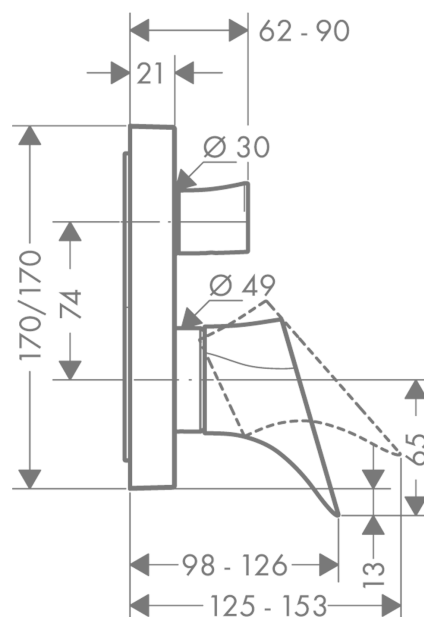


reddot design award
best of the best 2013

Product image



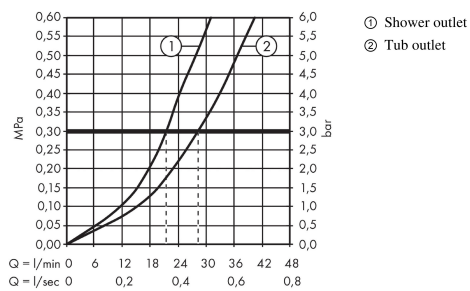
Scale drawing



AXOR Starck Organic
Single lever bath mixer for concealed installation
Surfaces: **Chrome** Article Number: **12415000**



Flowchart

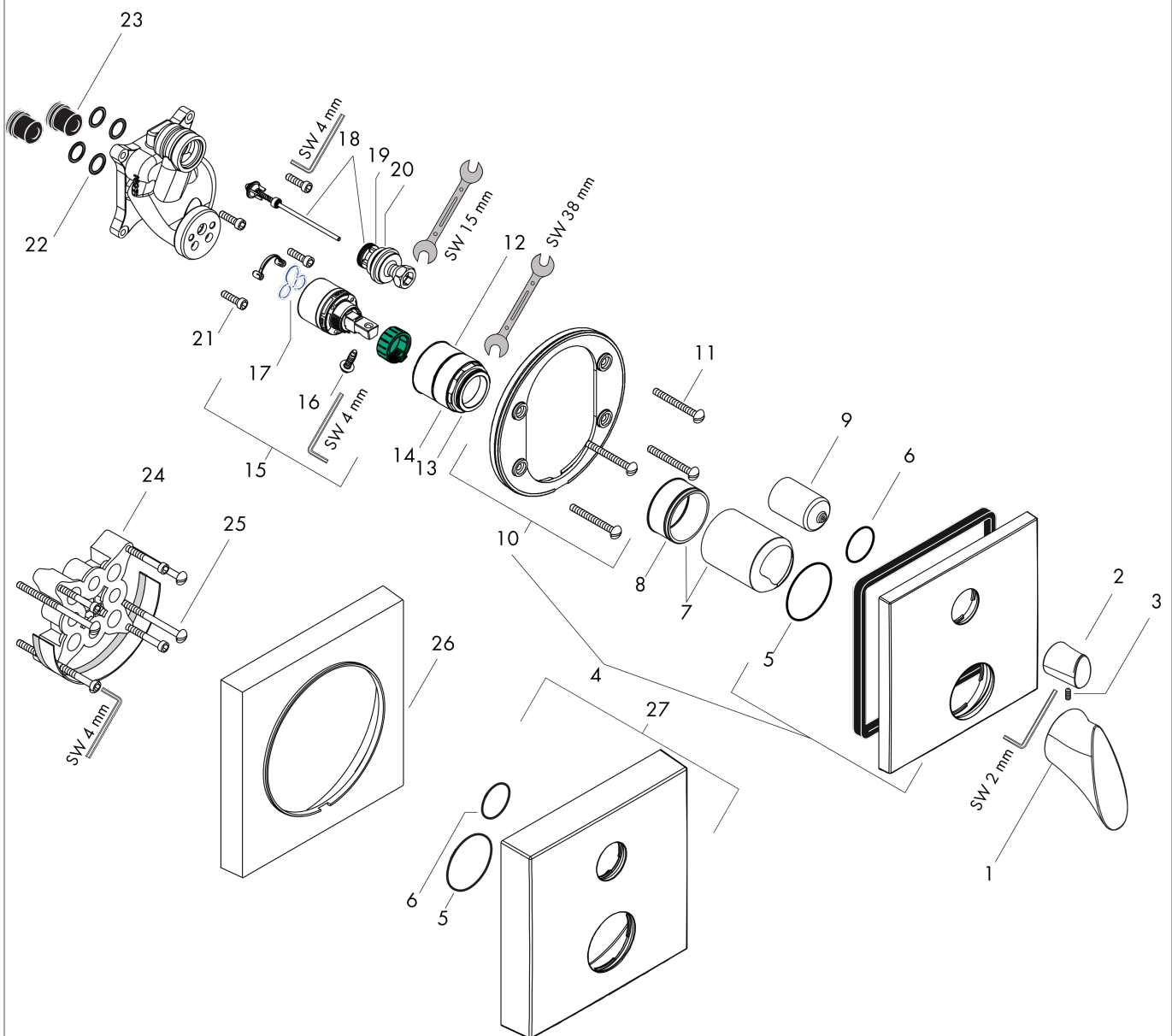


AXOR Starck Organic
Single lever bath mixer for concealed installation
 Surfaces: **Chrome** Article Number: **12415000**



Exploded Drawing

Year of production: >01/17



AXOR Starck Organic
Single lever bath mixer for concealed installation
 Surfaces: **Chrome** Article Number: **12415000**



Spare part list

Year of production: >01/17

Pos.	Description	Article Number	PC	PU
1	handle	98311000	15	1
2	diverter knob cpl.	98310000	11	1
3	hollow set screw M4x10	97667000	1	1
4	escutcheon	98309000	16	1
5	O-Ring 48x3	95508000	1	1
6	O-ring 29x3	98371000	2	1
7	flange	98684000	9	1
8	O-ring 43x1,5	98148000	1	1
9	sleeve	98308000	11	1
10	holder for escutcheon	98793000	9	1
11	set of fixing screws	96454000	3	1
12	nut	98796000	9	1
13	O-ring 30x1,5	98433000	1	1
14	O-ring 39x1,5	98400000	1	1
15	cartridge, assy	92730000	11	1
16	locking screw for handle	95140000	2	1
17	seal	95008000	3	1
18	selector assy	95014000	11	1
19	O-ring 17x2	98199000	1	1
20	O-ring 20x2,5	92602000	2	1
21	set of screws	96525000	3	1
22	O-ring 16x2	98133000	1	1
23	noise reduction	94073000	7	1
24	extension 25 mm	13595000	98	1
25	set of fixing screws	97747000	1	1
26	extension 22 mm	97407000	98	1
27	escutcheon height = 33 mm (when wall is not deep enough).	14968000	98	1
a	concealed item	01800180	98	1
b	adapter for exchanged connections	93181000	18	1
c	fixation set	96615000	98	1